

Apach
COOK *line*

Viale Europa, 24 - 37045 S.PIETRO DI LEGNAGO (VR) - ITALY

EAC

**SPARE PARTS CATALOGUE
ERSATZTEILKATALOG
CATALOGUE PIECES DETACHEES
CATALOGO PARTI RICAMBIO
CATALOGO DE PIEZAS DE RECAMBIO
CATALOGO PECAS, DE REPOSICAO**

Catalogo parti di ricambio valido
dalla matricola 4328706 ad oggi (07/07/2020)

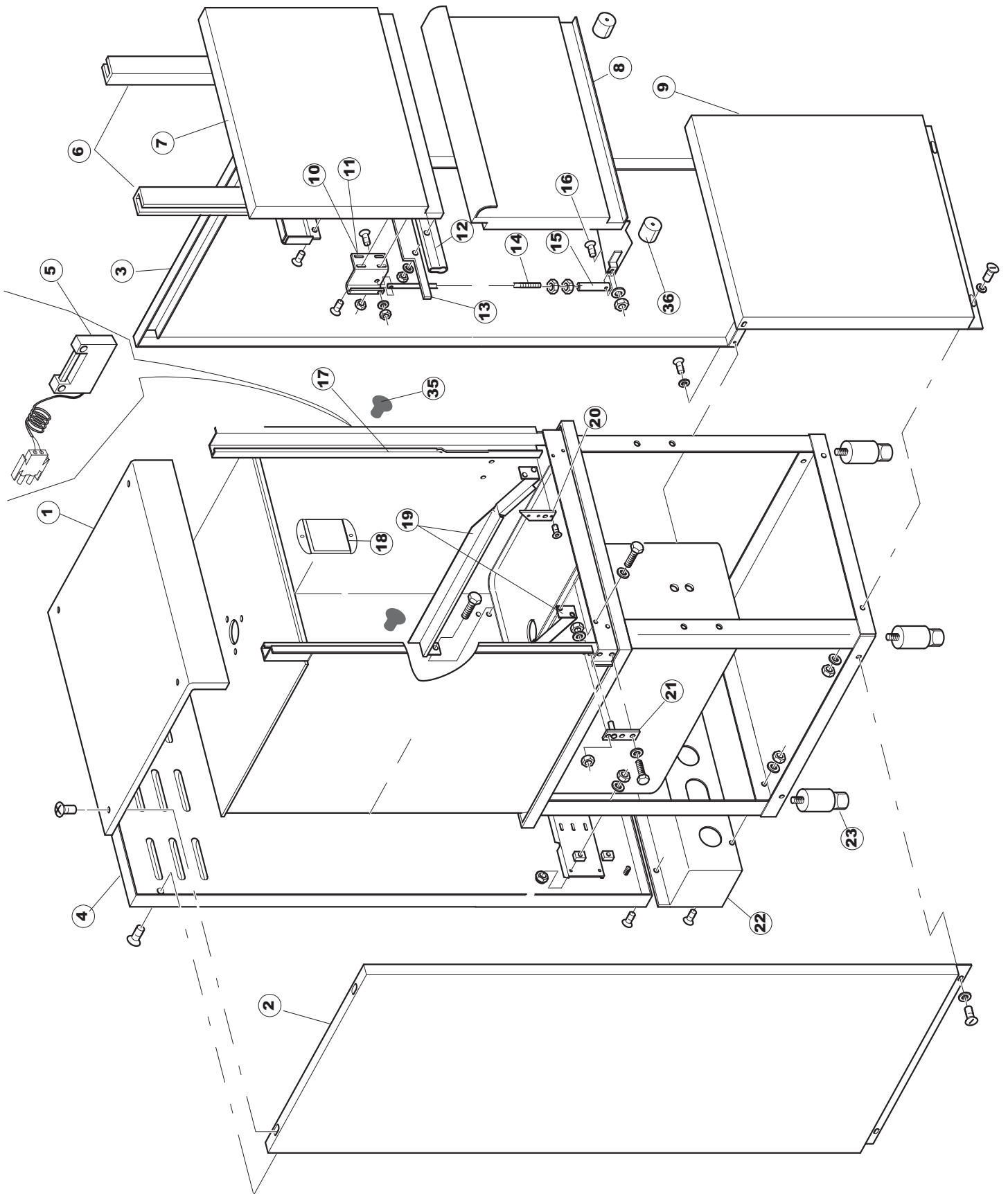
Catalogue pieces detachees
du numero de Série n. 4328706 jusqu'à aujourd'hui (07/07/2020)

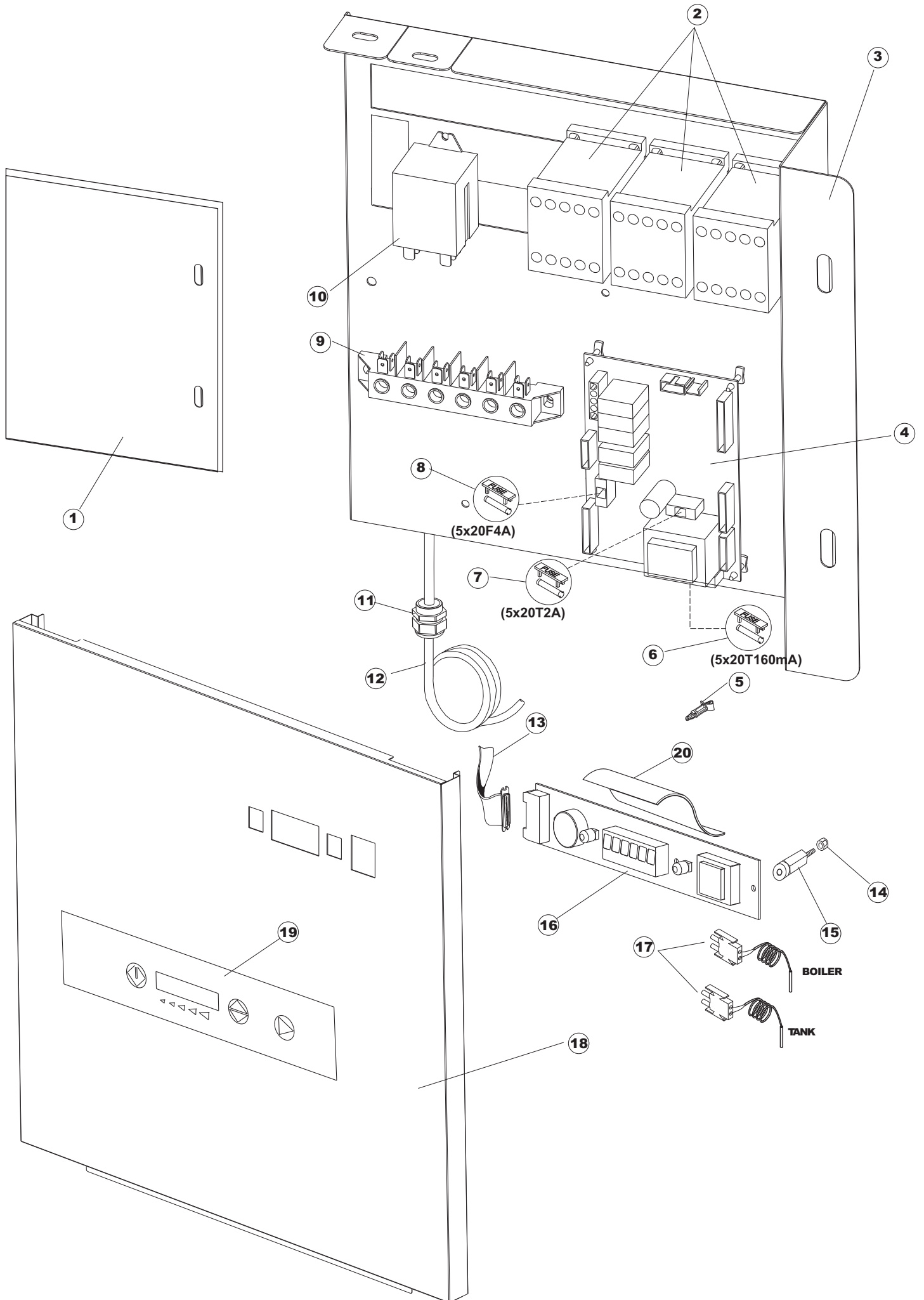
Ersatzteilkatalog
gültig ab Serien-Nr. 4328706 bis heute (07/07/2020)

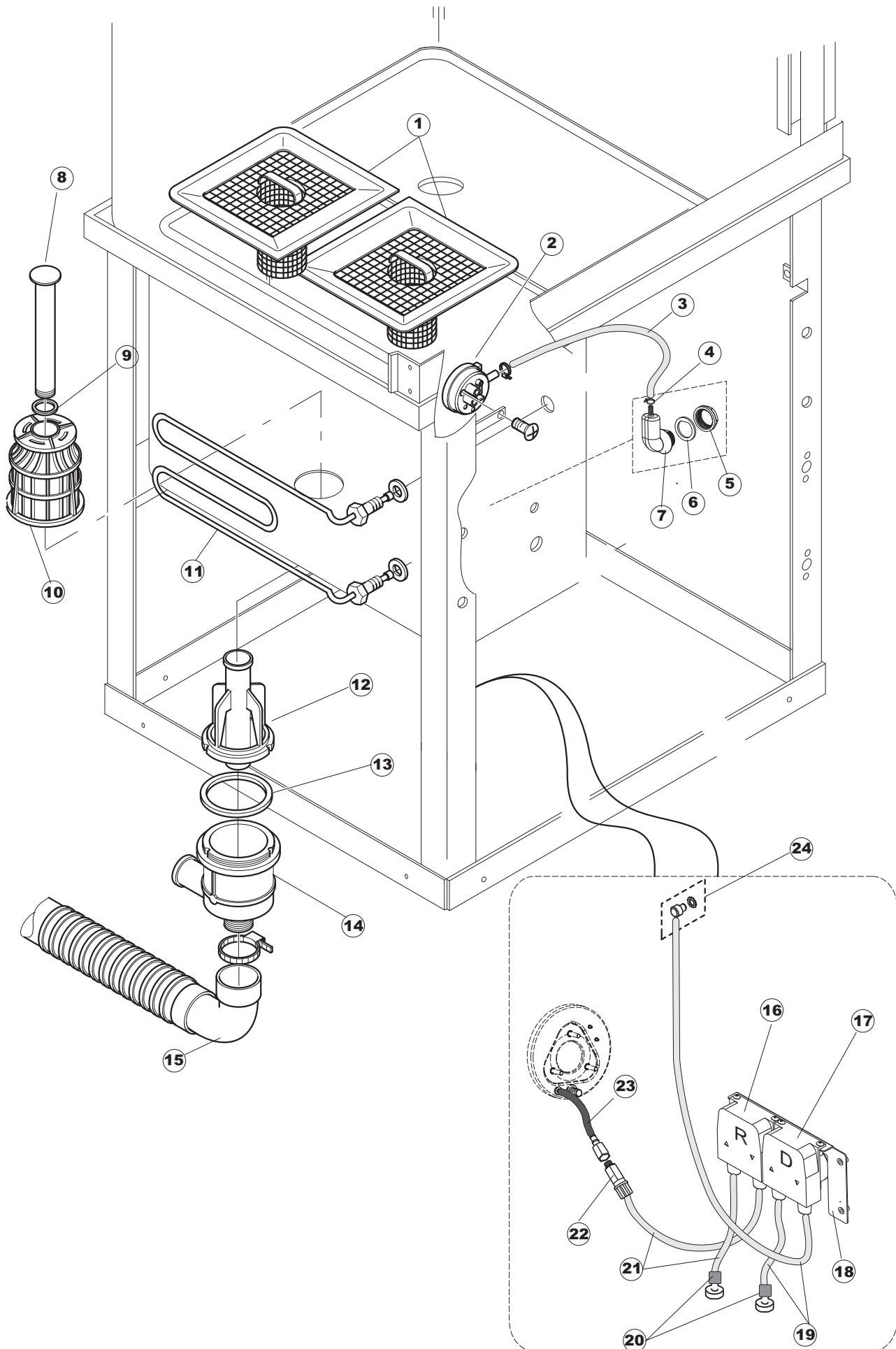
Spare parts catalogue
valid from serial no. 4328706 up today (07/07/2020)

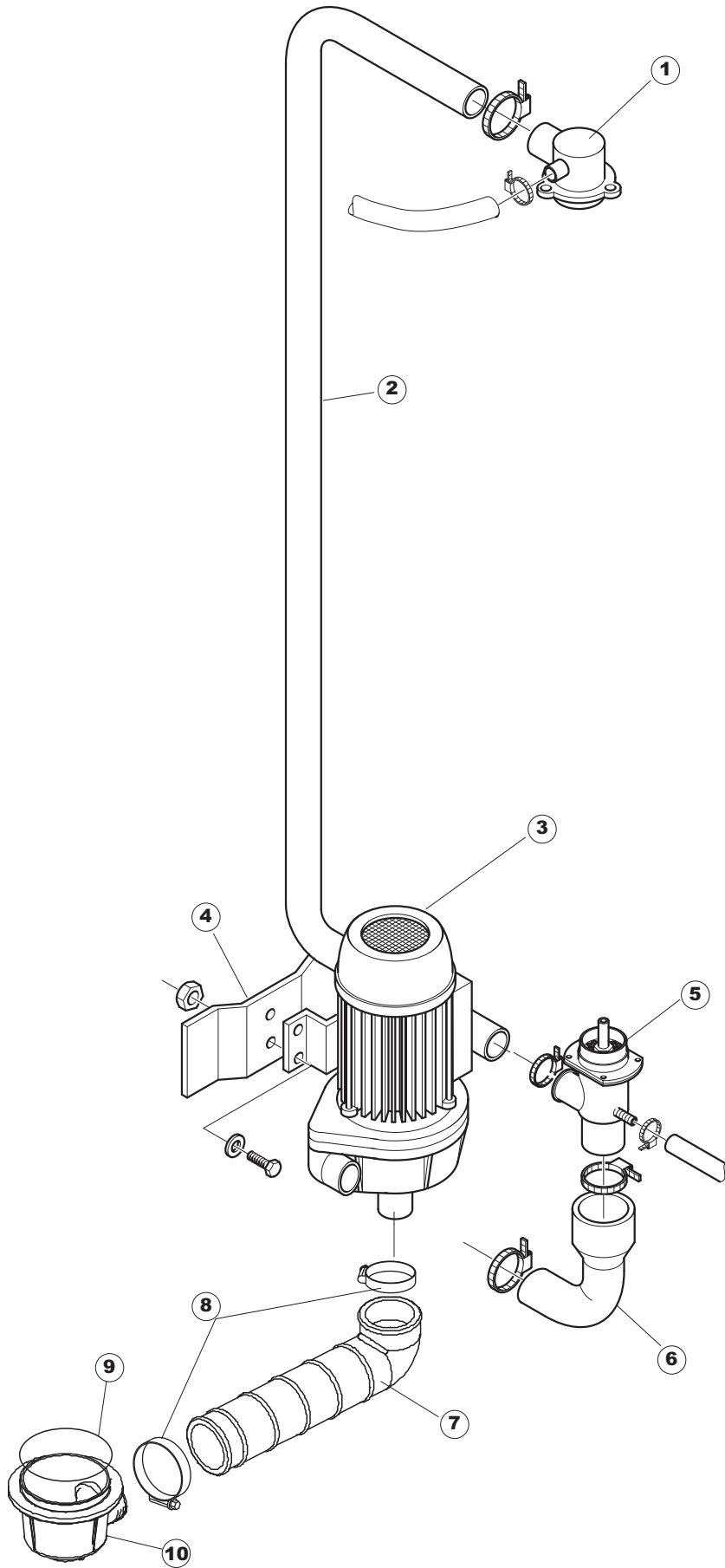
Catálogo de peças de reposição
válido do número de série 4328706 até hoje (07/07/2020)

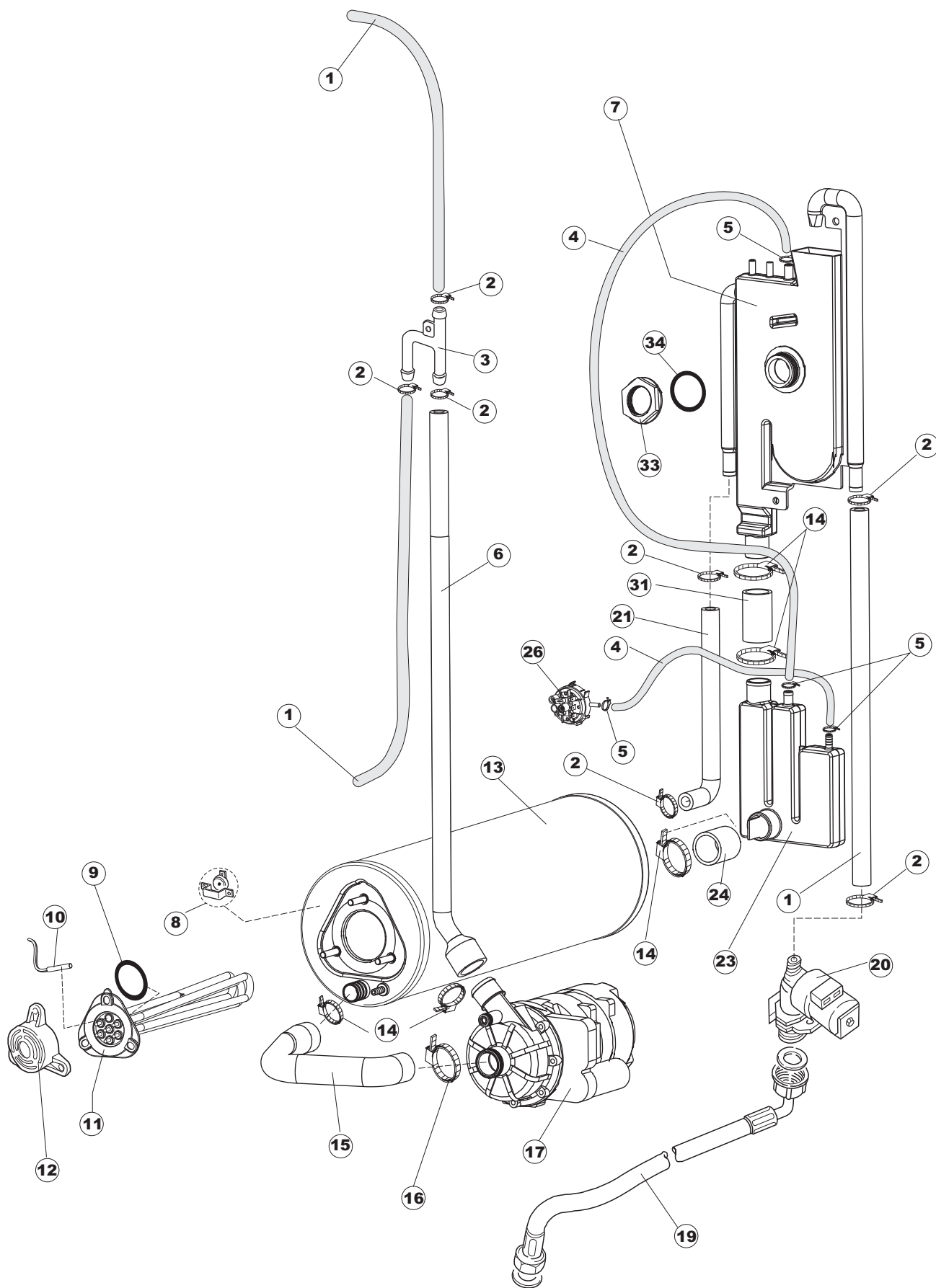
AK902

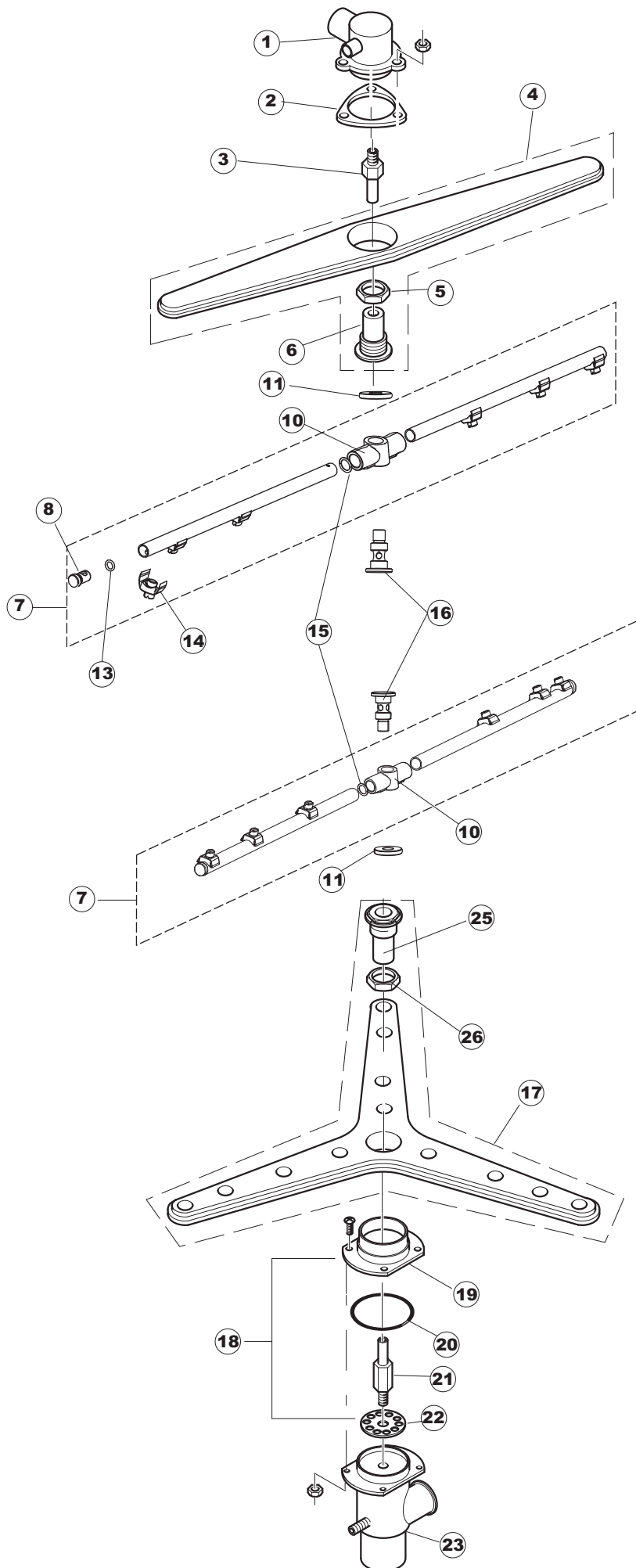


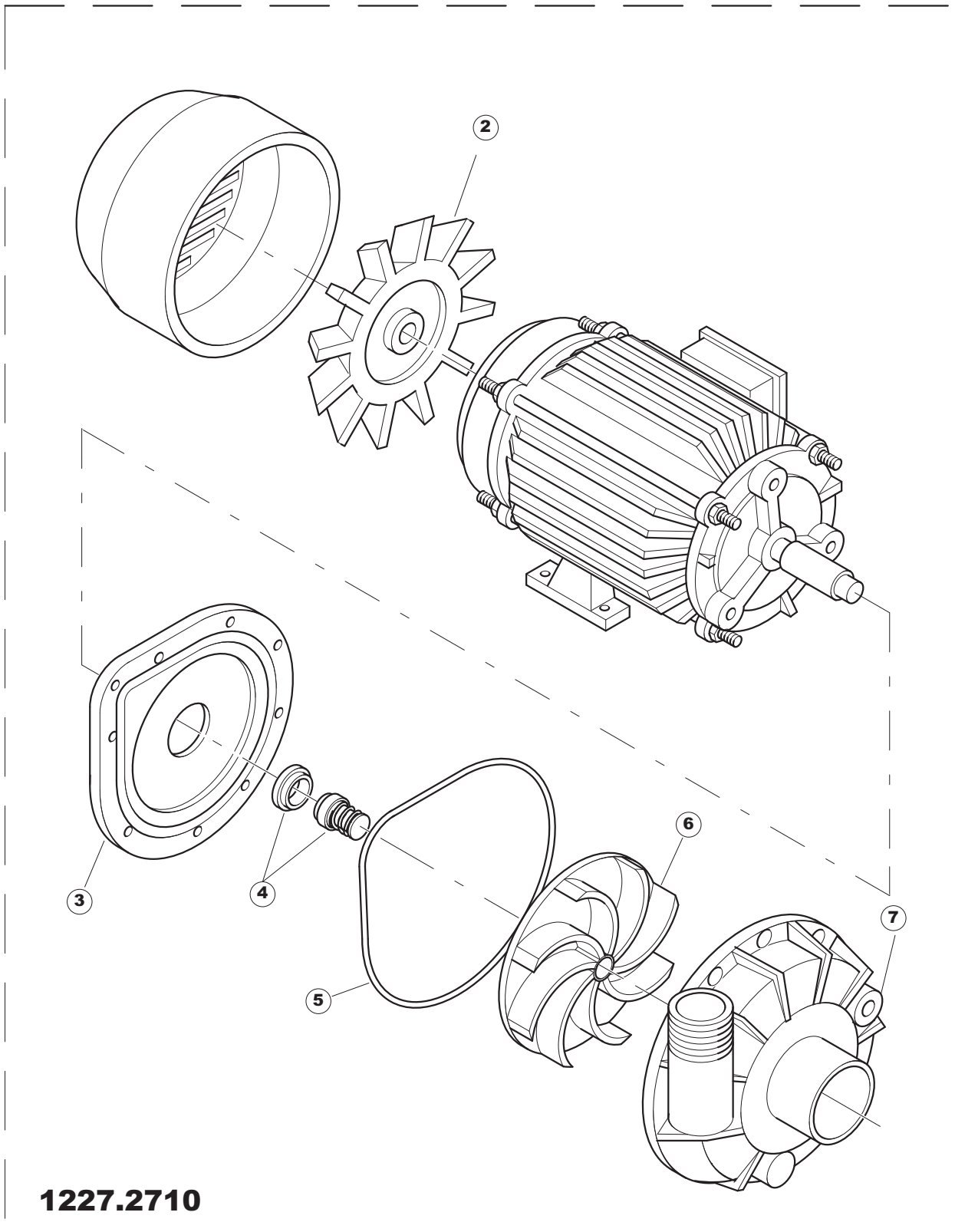












(*) Recommended spare part.

Page	Spare part position	Spare part code no.	Old code number	Description	U.m.
1	1	41118	C.41118	TOP PANEL	NR
1	2	44810		LEFT SIDE PANEL	NR
1	3	44814		RIGHT SIDE PANEL	NR
1	4	44122	C.44122	BACK PANEL	NR
1	5	80871		MAGNETIC DOOR SWITCH	NR
1	6	44265		DOOR SLIDING GUIDE - UPPER	NR
1	7	K44360		KIT UPPER DOOR	NR
1	8	44550		LOWER DOOR	NR
1	9	41326		FRONT PANEL	NR
1	10	4108701	C.4108701	DOOR BRACKET	NR
1	11	4108801	C.4108801	SUPPORT BRACKET	NR
1	12	41583		DOOR GASKET	NR
1	13	41582		DOOR PACKING SUPPORT - UPPER	NR
1	14	44593		DOOR LEVER	NR
1	15	41095	C.41095	UPPER BUSH FOR DOOR TIE FOR POT AND PAN WASHERS	NR
1	16	486078	CVI173	STAINLESS STEEL SCREW 6MAX30 T.1/2 TC	NR
1	17	929199	CWP25	FOOT TYPE 30191.1.2 (BLACK)	NR
1	18	43527		GUARD	NR
1	19	41539		RACK SLIDE	NR
1	20	4113501	C.4113501	DOOR SIDE THICKNESS - DX/SX	NR
1	21	4114501	C.4114501	SMALL PLATE FOR DOOR PIN	NR
1	22	41622		BACK PANEL	NR
1	23	927006	DWP127	FOOT	NR
1	35	929199	CWP25	FOOT TYPE 30191.1.2 (BLACK)	NR
1	36	41100		DOOR BEATING POINT BUFFER	NR
2	1	41416		COVER	NR
2	2	73350		CONTACTOR	NR
2	3	41415		WIRING PANEL	NR
2	4	215032-1		MAIN BOARD	NR
2	5	CWP2		FOOT	NR
2	6	228012		FUSE	NR
2	7	228011		FUSE	NR

(*) Recommended spare part.

Page	Spare part position	Spare part code no.	Old code number	Description	U.m.
2	8	228004		FUSE	NR
2	9	220011	REB220011	TERMINAL BLOCK	NR
2	10	929115	DER1108	RELAY 16A 230V	NR
2	11	DEP521		CABLE GLAND	NR
2	12	69803		POWER CABLE	NR
2	13	80934		FLAT CABLE	NR
2	14	417119		NUT	NR
2	15	419036		INTERFACE BOARD DISTANCE KEEPERS	NR
2	16	227083		PUSH BUTTONS BOARD	NR
2	17	231016		TEMPERATURE PROBE	NR
2	18	41326		FRONT PANEL	NR
2	19	41745		NOT IN PRICE-LIST	
2	20	69810		CURTAIN	NR
3	1	41257		STAINER	NR
3	2	926049	DEP45	PRESSURE SWITCH	NR
3	3	143253		PIPE	MT
3	4	CFF10073		CABLE TIE	NR
3	5	417120		NUT	NR
3	6	437098		GASKET	NR
3	7	70600		AIR TRAP FOR PRESSURE SWITCH	NR
3	8	80250	C.80250	OVERFLOW PIPE	NR
3	9	CGR4131NT		O-RING	NR
3	10	121081	REB121081	STAINER	NR
3	11	70562		HEATING ELEMENT	NR
3	12	80470		RING NUT	NR
3	13	456040	REB456040	O-RING	NR
3	14	136020	REB136020	ASPIRATION AND DRAIN BODY	NR
3	15	143136	REB143136	DRAIN HOSE	NR
3	16	209036		RINSE AID-DISPENSER	NR
3	17	209043		DETERGENT DOSING PUMP	NR
3	18	80675		SUPPORT BRACKET	NR
3	19	143194	REB143194	PIPE	MT

(*) Recommended spare part.

Page	Spare part position	Spare part code no.	Old code number	Description	U.m.
3	20	121993		FILTER AID DISPENSER	NR
3	21	H.775601		PIPE	MT
3	22	468200		PIPE FITTING	NR
3	23	143005	SPG10	LINEN RUBBER PIPE 5X12 - BLACK	MT
3	24	999348		DETERGENT TANK FITTING	NR
4	1	35604		UPPER MAIN MANIFOLD	NR
4	2	44354		PIPE	NR
4	3	41990		WASHPUMP	NR
4	4	41626		SUPPORT BRACKET	NR
4	5	4206301	C.4206301	LOWER MANIFOLD	NR
4	6	41560		DELIVERY WASH HOSE	NR
4	7	80186	C.80186	SUCTION PIPE	NR
4	8	CFS3		CLAMP, HOSE-TYPE TORRO W2B 60-80/12	NR
4	9	456040	REB456040	O-RING	NR
4	10	136020	REB136020	ASPIRATION AND DRAIN BODY	NR
5	1	143010	SPG61	RUBBER PIPE 12X19,5	MT
5	2	927322	CFS14	HOSE CLAMP	NR
5	3	143268		JUNCTION "Y"	NR
5	4	H.165168		PIPE	MT
5	5	423026		CABLE TIE	NR
5	6	41525		RINSE DELIVERY TUBE(CRP)	NR
5	7	144021		BREAK TANK	NR
5	8	926189	DRT140	CONTACT SAFETY-THERMOSTAT	NR
5	9	456002	REB456002	O-RING	NR
5	10	231016		TEMPERATURE PROBE	NR
5	11	230083C	REB230083C	HEATING ELEMENT 6KW	NR
5	12	69870		BOILER HEATING ELEMENT PROTECTION	NR
5	13	104061		BOILER	NR
5	14	CFS18		HOSE CLAMP	NR
5	15	69068		PIPE	NR
5	16	423008	CFS24	HOSE CLAMP	NR
5	17	80627		RINSE PUMP 50 HZ	NR

(*) Recommended spare part.

Page	Spare part position	Spare part code no.	Old code number	Description	U.m.
5	19	929169	RAT32	THERMOPLASTIC INLET HOSE	NR
5	20	240018		SOLENOID VALVE	NR
5	21	143004	REB143004	PIPE	MT
5	23	144032		LOADING SYSTEM BOILER CRP WITH BELL PRESSURE SWITCH	NR
5	24	127095		BOILER PIPE	NR
5	26	224002	REB224002	PRESSURE SWITCH TYPE 110-60	NR
5	31	929171	SPG2230	RUBBER PIPE 20X29	MT
5	33	417125		NUT	NR
5	34	437104		GASKET	NR
6	1	35604		UPPER MAIN MANIFOLD	NR
6	2	437064	REB437064	GASKET	NR
6	3	80282	C.80282	PIVOT	NR
6	4	80311	C.80311	COMPLETE WASH ARM	NR
6	5	80314	C.80314	RING NUT	NR
6	6	80310		GREY WASH ARM HOLDER (RAL 7001)	NR
6	7	41677		COMPLETE RINSE ARM	NR
6	8	926132		PLASTIC RINSE ARM CAP	NR
6	10	69632		BODY ARM	NR
6	11	K80679		RING NUT M12 WITH TEFLON WASHER	NR
6	13	456030		O-RING	NR
6	14	140036		RINSE JET	NR
6	15	456019	REB456019	O-RING	NR
6	16	80644		PIVOT	NR
6	17	929195		COMPLETE WASH ARM	NR
6	18	41064CP	C.41064CP	SUPPORT COUNTER-FLANG OF WASH ARM OF POT AND PAN WASHER	NR
6	19	41064	C.41064	SUPPORT COUNTER-FLANGE OF WASH ARM OF POT AND PAN WASHER	NR
6	20	926252	CGR4275	O-RING	NR
6	21	42053	C.42053	PIVOT	NR
6	22	41185	C.41185	REDUCER FOR POT AND PAN WASHER	NR
6	23	4206301	C.4206301	LOWER MANIFOLD	NR
6	25	926129	DAS258	SUPPORT/HUB FOR WASH-ARM - DISHWASHERS	NR
6	26	80314	C.80314	RING NUT	NR

(*) Recommended spare part.

Page	Spare part position	Spare part code no.	Old code number	Description	U.m.
7	1	41990		WASHPUMP	NR
7	2	335003	REB335003	WASHPUMP FUN	NR
7	3	315002		NOT IN PRICE-LIST	
7	4	141002	REB141002	WASH PUMP SHAFT SEAL FOR GLASSWASHER	NR
7	5	456023		O-RING	NR
7	6	41991		ELECTROPUMP IMPELLER	NR
7	7	116002		NOT IN PRICE-LIST	