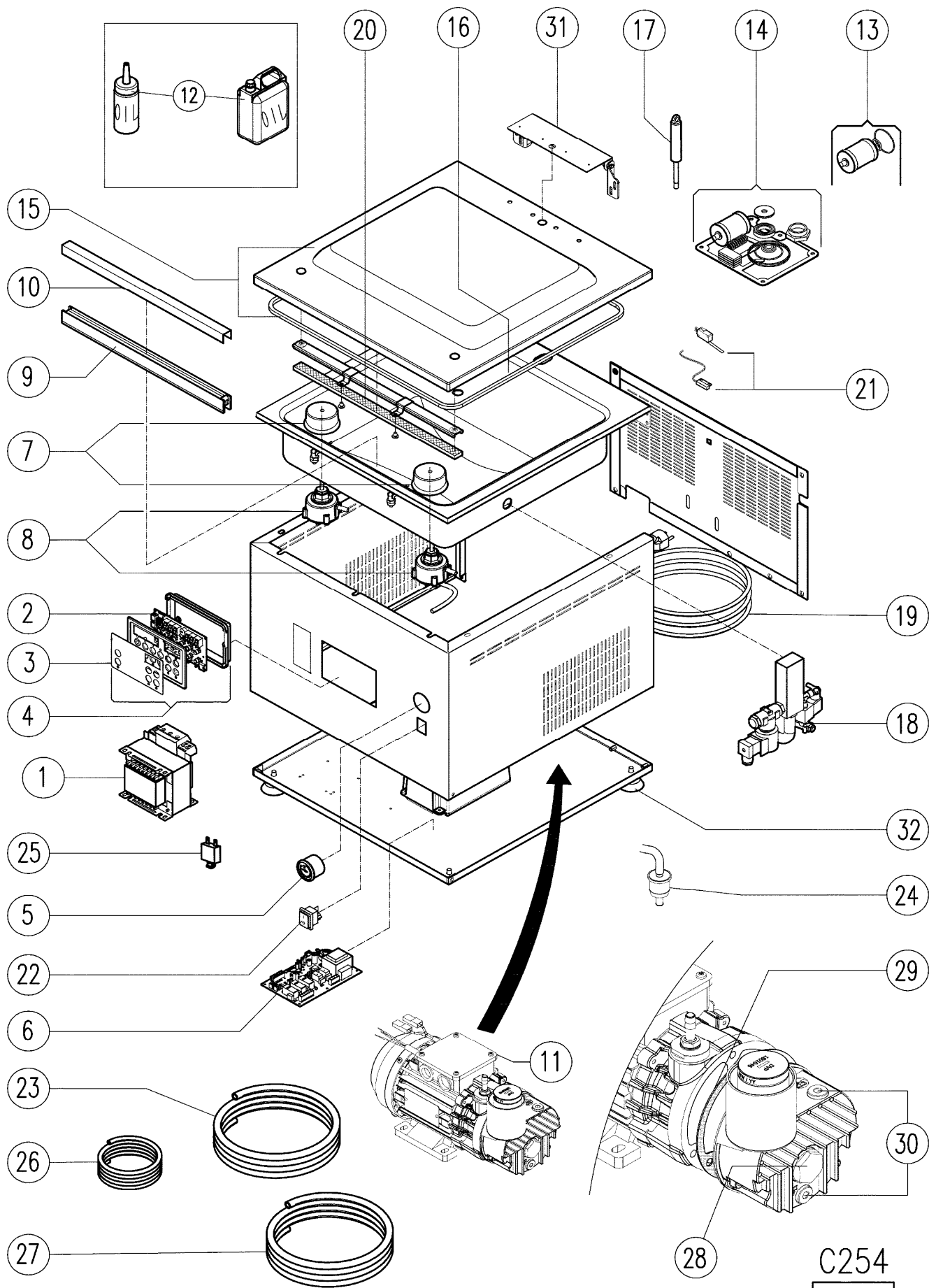


SPARE PARTS LIST



C254
1955

SPARE PARTS LIST

SPARE PARTS LIST C254 (AVMC254)					
No. Part	Code Part	Description	Validity start date	Validity end date	Notes
1	1604109	TRANSFORMER 200VA 100-110/10-12-16	01/01/1900	31/12/2099	100V
1	1604098	TRANSFORMER 200VA 230/10-12-16V	01/01/1900	31/12/2099	230V
1	1604109	TRANSFORMER 200VA 100-110/10-12-16	01/01/1900	31/12/2099	110V
2	1604123	COMMAND BOARD N059.0	01/01/1900	31/12/2099	
3	1604124	CONTROLS STICKER C-SERIES	01/01/1900	31/12/2099	
4	1604125	COMPLETE CONTROL PANEL N089 C-SERIES	01/01/1900	31/12/2099	
5	1604105	VACUUM GAUGE D=40	01/01/1900	31/12/2099	
6	1604447	POWER BOARD L084 100V C-SERIES	01/01/1900	31/12/2099	100V
6	1604449	POWER BOARD L084 230V C-SERIES	01/01/1900	31/12/2099	230V
6	1602473	POWER BOARD L084 110V C-SERIES	01/01/1900	31/12/2099	110V
7	1604056	PROTECTIVE CAP (2 PCS) EVOX/C-SERIES/SPACE/IDEA	01/01/1900	31/12/2099	
8	1604126	ASSEMBLY PISTON (2 PCS) C-SERIES C254	01/01/1900	31/12/2099	
9	1604129	SEALING BAR 259X30X20 C254	01/01/1900	31/12/2099	
10	1604427	HAVANA TEFLON BAND L=65MM (1 MT) IDEA/ MC/NEW/V.2010/400G-DG/VM98/F420/C-SERIES	01/01/1900	31/12/2099	
11	1604132	VACUUM PUMP LC 4 230V 50/60HZ	01/01/1900	31/12/2099	230V
11	1601685	VACUUM PUMP LC 4 115V 60HZ -UL-	01/01/1900	31/12/2099	110V
11	CODSERVICE	SPARE PART MANAGED BY CUSTOMER SERVICE	01/01/1900	31/12/2099	100V
12	1601422	PUMP OIL ORV40 250ML	01/01/1900	31/12/2099	1 CAMBIO
12	1600500	PUMP OIL ORV40 1L	01/01/1900	31/12/2099	
12	1601037	PUMP OIL ORV40 10L	01/01/1900	31/12/2099	
13	1601009	REPAIR KIT MINOR FOR PUMP LB4-LC4-LA6(K9601057) (EXHAUST FILTER)	01/01/1900	31/12/2099	
14	1601609	REPAIR KIT MAJOR FOR VACUUM PUMP LC4(K9601070/1)	01/01/1900	31/12/2099	LC 4
14	1600847	MAJOR KIT FOR VACUUM PUMP LB4 (K9601057/1)	01/01/1900	31/12/2099	LB 4
15	1604137	LID C254	01/01/1900	31/12/2099	
16	1604018	BLACK COVER SEAL 2 MT	01/01/1900	31/12/2099	
17	1604142	GAS PRESSURE SPRINGS (1 PC) 198.155.25	01/01/1900	31/12/2099	
18	1604146	SOLENOID VALVE UNIT C254 230V	01/01/1900	31/12/2099	230V
18	1604158	SOLENOID VALVE UNIT C254 110V	01/01/1900	31/12/2099	110V
18	1604154	SOLENOID VALVE KIT C254 100V	01/01/1900	31/12/2099	100V
19	1603292	POWER CABLE 3X1X3000 SHUKO EUR	01/01/1900	31/12/2099	230V
19	1603294	POWER CABLE 3X14AWG AI111USA -UL-	01/01/1900	31/12/2099	110V
19	1604162	POWER CABLE 3X2X2000-KP-2188 JAP	01/01/1900	31/12/2099	100V
20	1603623	SILICON RUBBER 29X8X255	01/01/1900	31/12/2099	
21	1603449	SWITCH CONTACT MC	01/01/1900	01/12/2014	SWITCH
21	1603692	REED CONTACT MC-N	02/12/2014	31/12/2099	REED
22	1604071	MAIN SWITCH 20A	01/01/1900	31/12/2099	
23	1604410	D8X6 BLUE HOSE (3 MT) ELLASTOLAN	01/01/1900	31/12/2099	
24	1601815	VACUUM PUMP EXHAUST FILTER CP30/EVP30	01/01/1900	31/12/2099	
25	1602045	THERMIC CIRCUIT BREAKER C308/310/312/EVOX25/SPACE25	17/12/2015	31/12/2099	
26	1604591	WHITE SIL. TUBE D2X6 FOR SENSOR (1 MT)	01/01/1900	31/12/2099	
27	1604375	ARMORVIN HOSE D=16 (1 MT)	01/01/1900	31/12/2099	
28	1605140	OIL SIGHT LC4/LB4 (1105005)	01/01/1900	31/12/2099	
29	1605142	TANK GASKET PUMP LC4	01/01/1900	31/12/2099	
30	1604699	HEX EMBEDDED LID 1/8" (2 PCS.) (LB4)	01/01/1900	31/12/2099	
31	1605054	LID HINGE SUPPORT LERICA C-SERIES	01/01/1900	31/12/2099	
32	1605135	SAFETY RUBBER NUBS (4 PCS) C254/C308/C310/C312/C412	01/01/1900	31/12/2099	